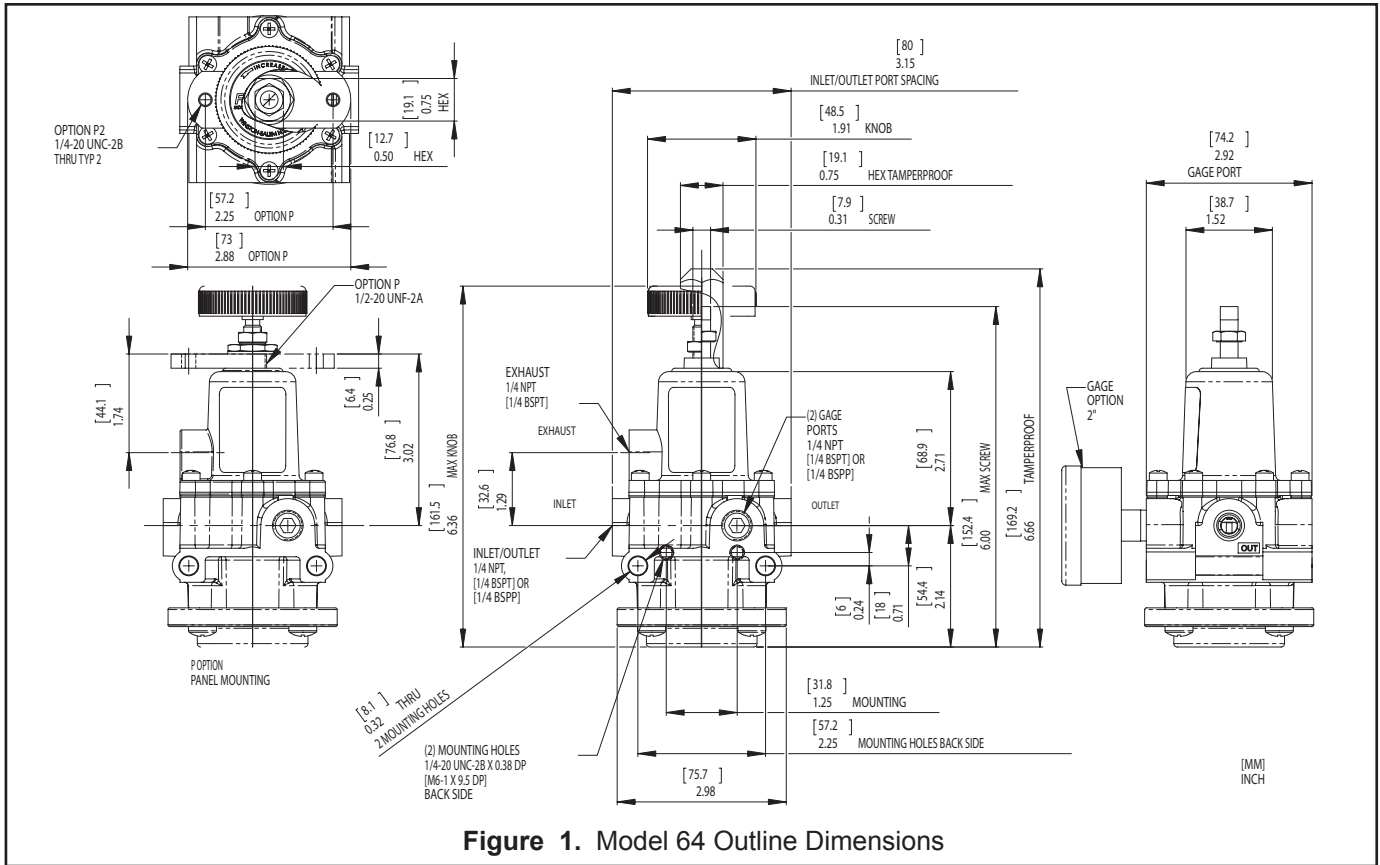


FAIRCHILD MODEL 64 PNEUMATIC SERVICE REGULATOR

Installation, Operation and Maintenance Instructions



INSTALLATION

Use the two 23/64 thru holes in the Body to mount the Model 64. The Model 64 may be mounted in any orientation.

Clean all pipelines to remove dirt and scale before installation.

Apply a minimum amount of pipe compound to the male threads of the fitting only. **Do Not use teflon tape as a sealant.** Start with the third thread back and work away from the end of the fitting to avoid contaminating the regulator. Install the regulator in the air line.

The Inlet and Outlet ports are labeled "In" and "Out". Tighten all connections securely. Avoid undersized fittings that limit the flow through the regulator. For more information, see Figure 1.

NOTE: Oil free air must be applied to the regulator. If an air line lubricator is used, it **MUST** be located downstream of the regulator to avoid interference with performance.

OPERATION

The Model 64 has an Adjustment Screw that controls output pressure. To increase pressure, turn the Adjustment Screw clockwise. To decrease pressure, turn the Adjustment Screw counterclockwise. For more information, see Figure 1.

MAINTENANCE

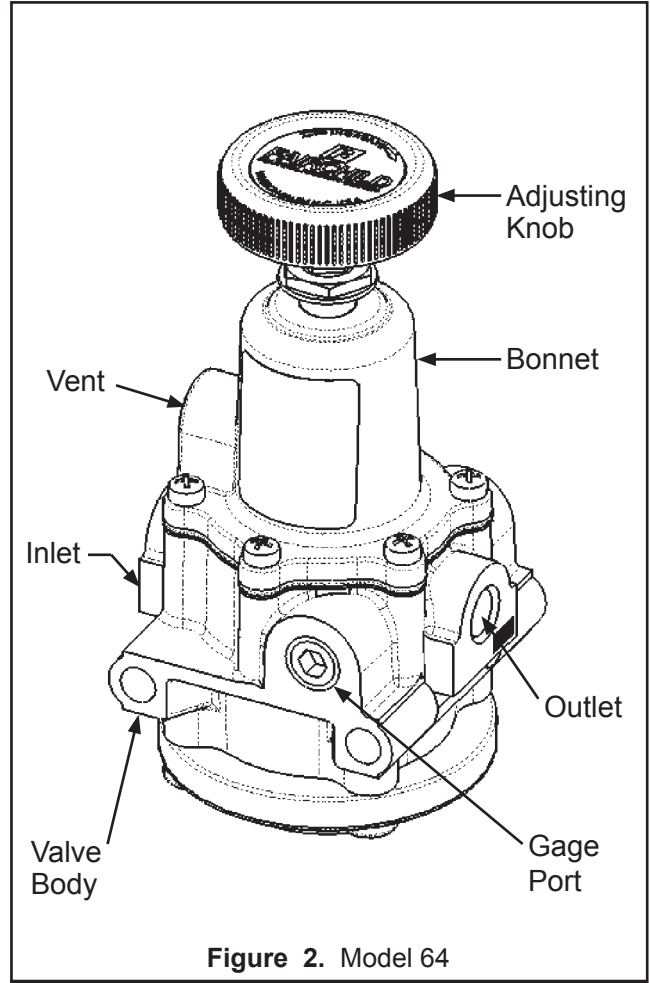
NOTE: The presence of some diester oils in the air lines can accelerate elastomer deterioration and decrease the life span of this unit.

Troubleshooting

Problem	Source	Solution
Leakage	Body Screw	Tighten the Body Screw.
High Bleed	<ul style="list-style-type: none"> • Relief Pintle • Relief Seat 	<ul style="list-style-type: none"> • If contaminated, clean the source.
Difficult to Adjust	<ul style="list-style-type: none"> • Adjustment Screw 	<ul style="list-style-type: none"> • Lubricate the Adjustment Screw threads and end.

NOTE: If the standard maintenance procedure does not correct the problem, install the service kit.

Service Kit EA-19968-1




FAIRCHILD
 INDUSTRIAL PRODUCTS COMPANY
 3920 WEST POINT BLVD. WINSTON-SALEM, NC 27103-6708
 TEL 336-659-3400 FAX 336-659-9323
www.fairchildproducts.com



ISO 9001:2000
FM NO. 25571

IS-1000064
Litho in USA
Rev. 03/08

P.S.I. Supplies Pty Ltd.

Installation and Maintenance Instructions for:

Fairchild Model 64 Pneumatic Service Regulator

For further advice or assistance please contact:

www.psisupplies.com.au

Ph: +61 3 9899 6444

Email: sales@psisupplies.com.au